

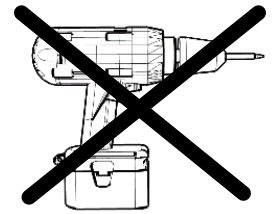
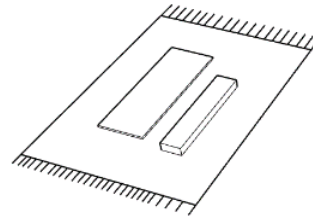
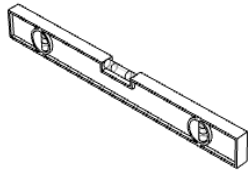
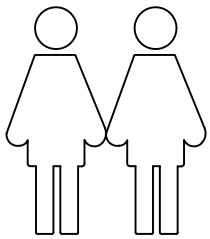
ASSEMBLY INSTRUCTION

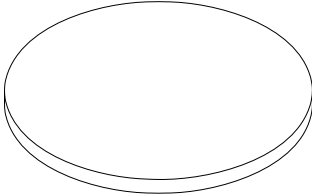
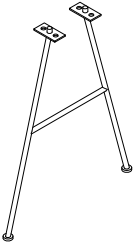
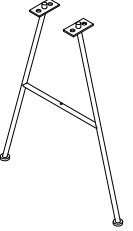
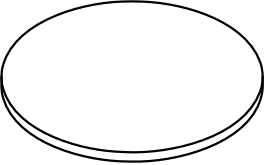

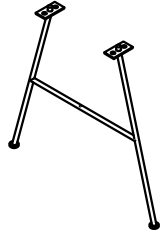
# GRAFTON NESTING TABLE Ø50/Ø40

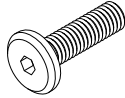


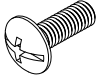



**ROWICO**

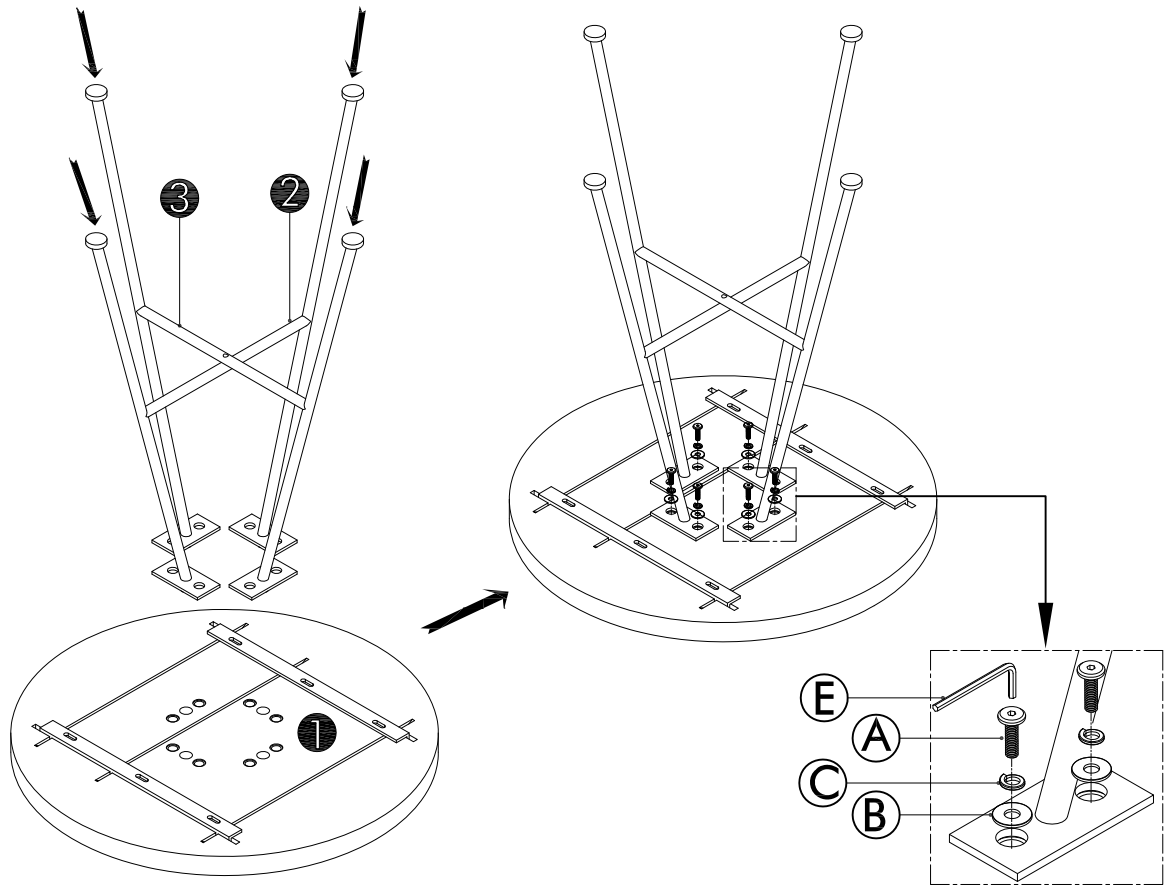
HOME



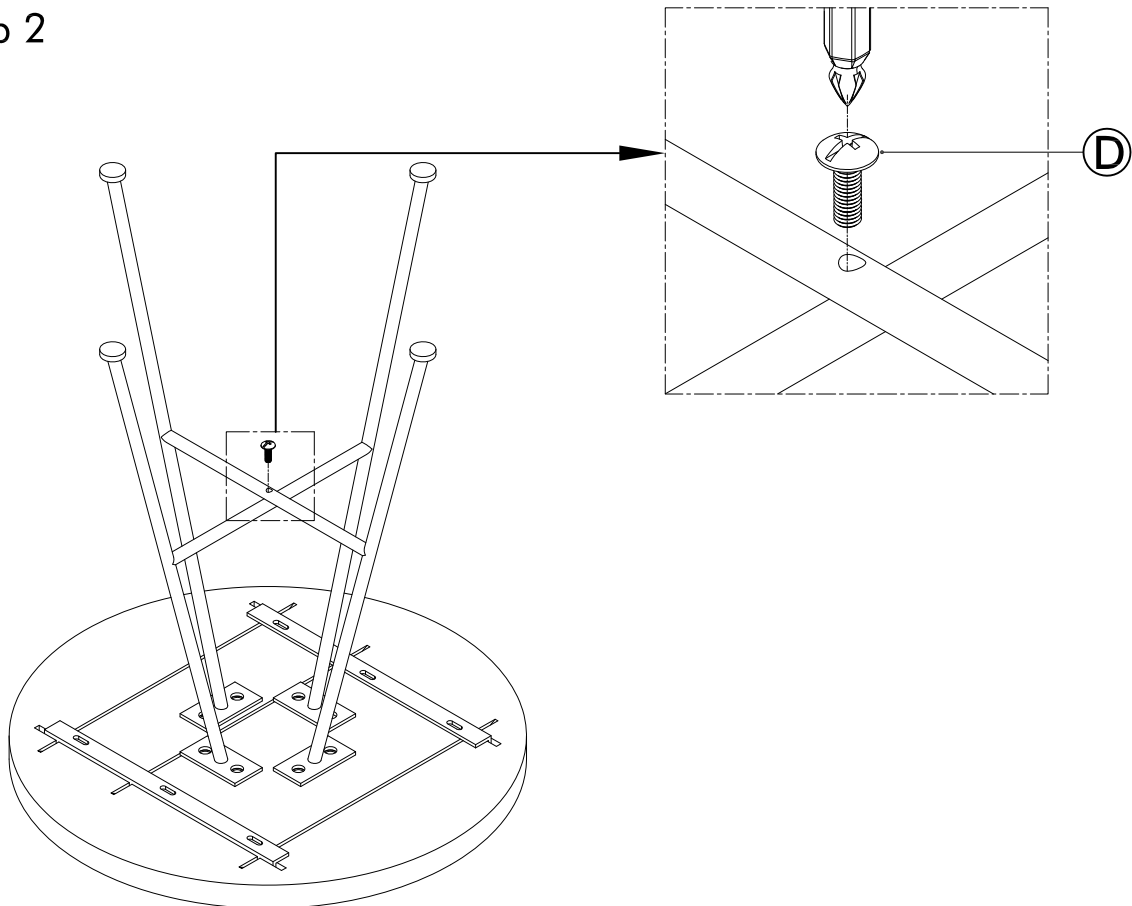
List of part		
	Description	N.o of pcs
1		1
2		1
3		1
4		1
5		1
6		1

List of hardware			
A		Bolt M6x20mm	16
B		Washer Ø6/Ø16	16
C		Spring washer Ø6 mm	16
D		Bolt M4x15mm	2
E		Allen Key Ø4	1

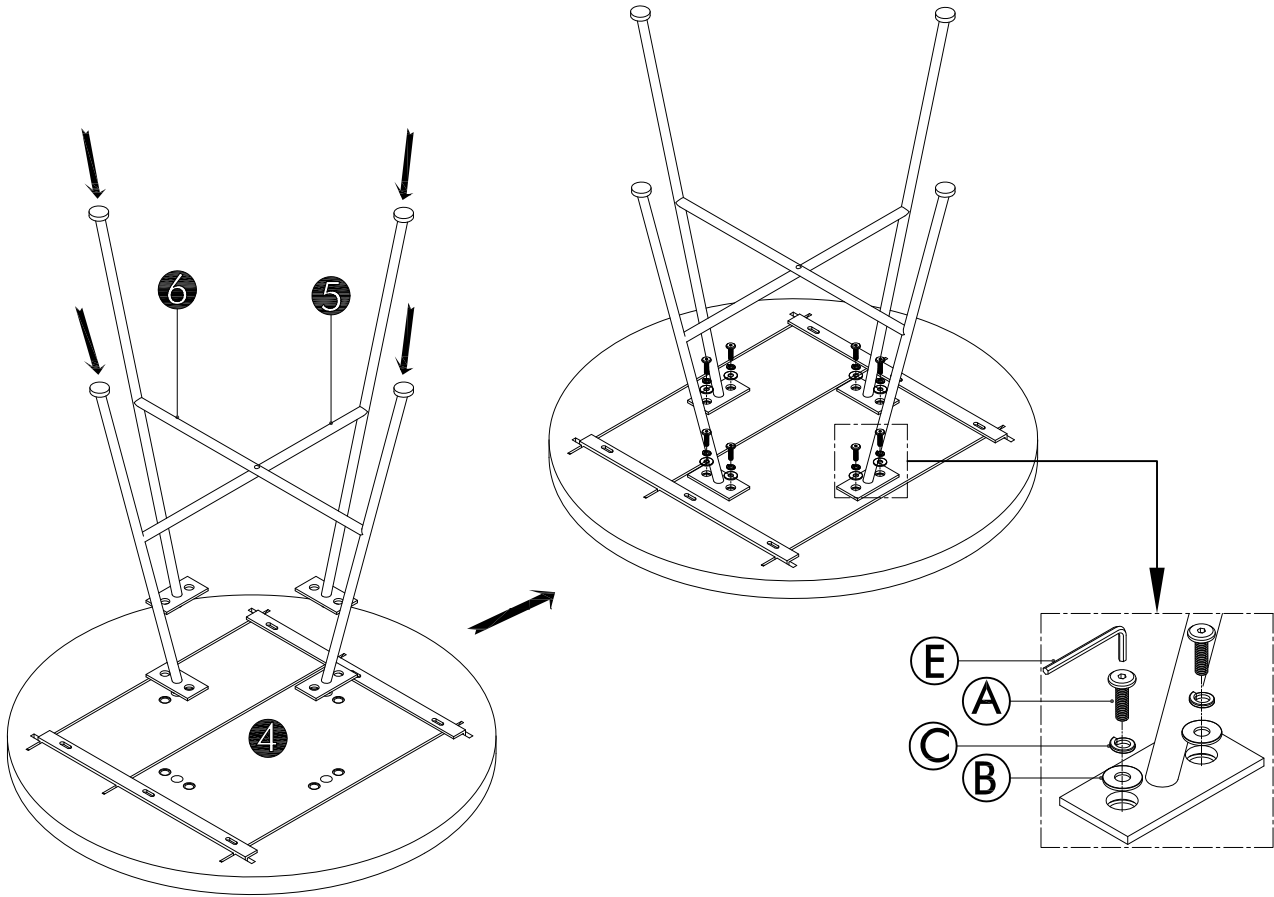
# Step 1



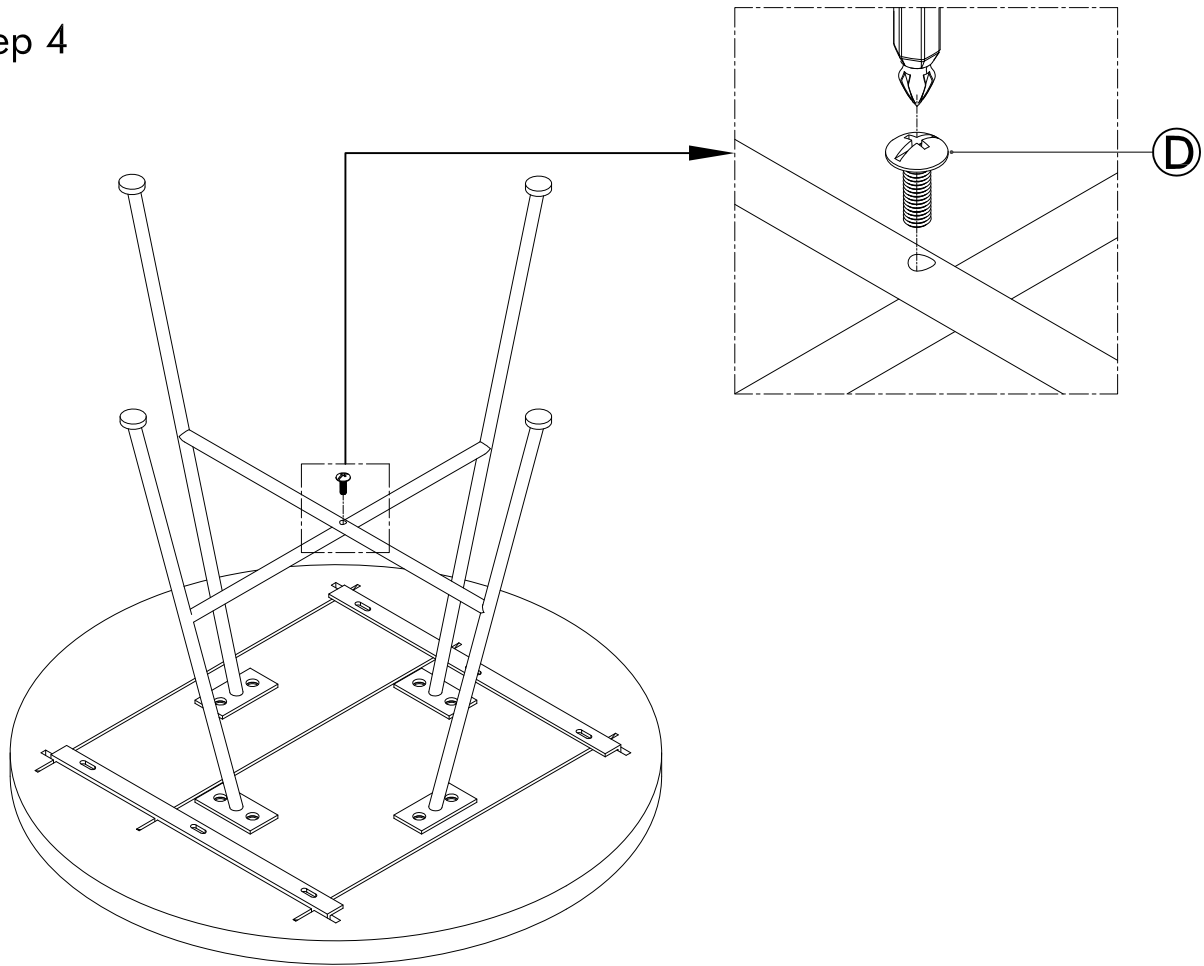
# Step 2



### Step 3



### Step 4



## Step 5



Max weight :

